

BFT MITTO TRANSMITTER PROGRAMMING INSTRUCTIONS

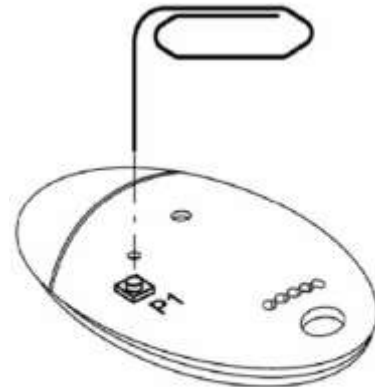
There are two methods of programming additional transmitters into your system, which one you use depends upon how the system was originally set up by the installer, if remote programming was enabled use method 1, if it was not then use method 2, if unsure try method 1 first

METHOD 1

STEP 1

You must be within 5 Metres of the gate or door control box

Take an existing **working** transmitter and using a paper clip press the hidden button within the hole at the back of the casing (see diagram)



STEP 2

Then press the button on the front that you use to operate your gate or door



STEP 3

The following must be carried out within 20 seconds of completing steps 1 & 2

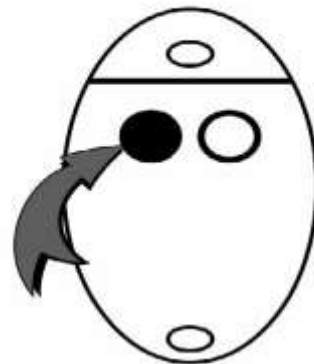
Take the new transmitter and using a paper clip press the hidden button within the hole at the back of the casing (see diagram)



STEP 4

Then press the button on the front that you wish to use to operate your gate or door

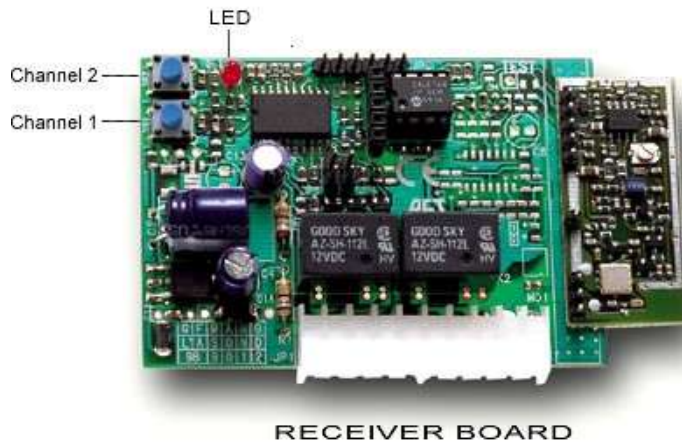
Wait 10 seconds and your new transmitter is ready to use



The above programming procedure (STEP 1) can only be carried out by using one of the original programmed transmitters, i.e. a transmitter that was originally programmed using method 2 (shown on next page)

METHOD 2

BFT Clonix and Intric receivers



Locate the receiver board which is usually found plugged into the gate or door control panel

1. Press either the Channel 1 (to program transmitter button 1) or Channel 2 (to program transmitter button 2) programming button on the **receiver board** - The LED blinks
2. Take the new transmitter and using a paper clip press the hidden button within the hole at the back of the casing (see diagram on previous page) - The LED is lit continuously
3. Press the button on the front of the transmitter that you wish to use to operate your gate or door – The LED blinks

To program (add) more transmitters repeat steps 2 and 3 within 10 seconds

Wait 10 seconds and the receiver will exit program mode – The LED extinguishes

The new transmitters are now programmed and ready to use

http://www.quantekshop.co.uk/bft_mitto_2.html