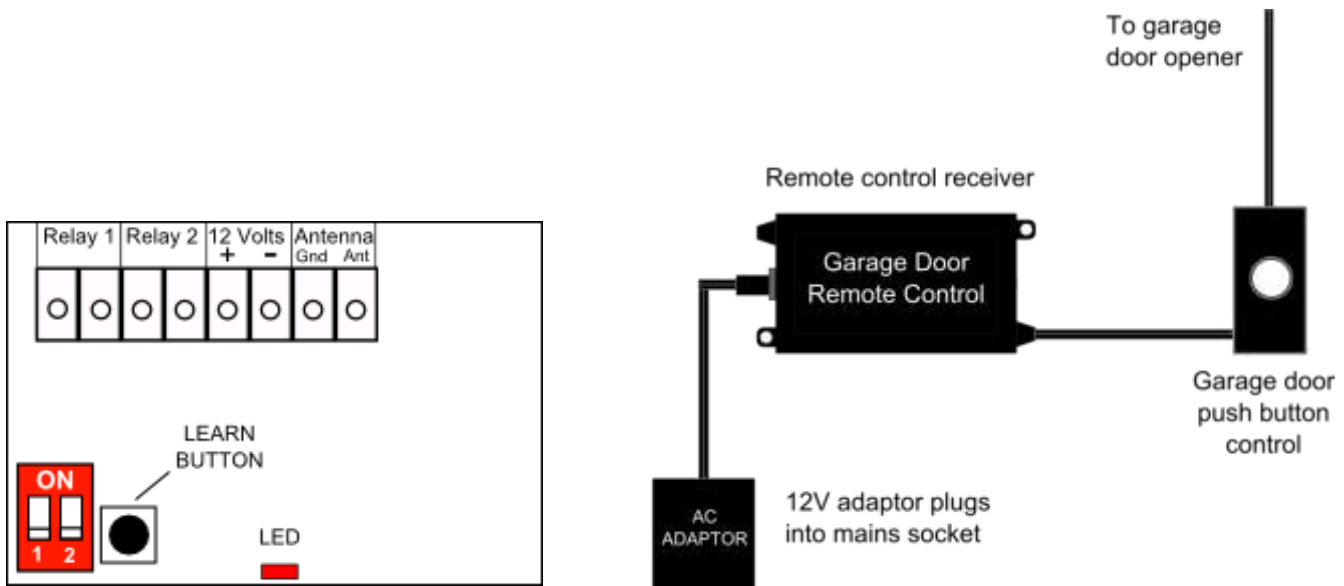


# GARAGE DOOR REMOTE CONTROL KIT - MODEL GDRC



The GDRC universal garage door remote control kit consists of a remote controlled receiver switch, power supply and two transmitters and is designed to add a remote control facility to garage door openers. It can be used with any garage door opener that has an existing low voltage wall mounted push button control.

## Installation

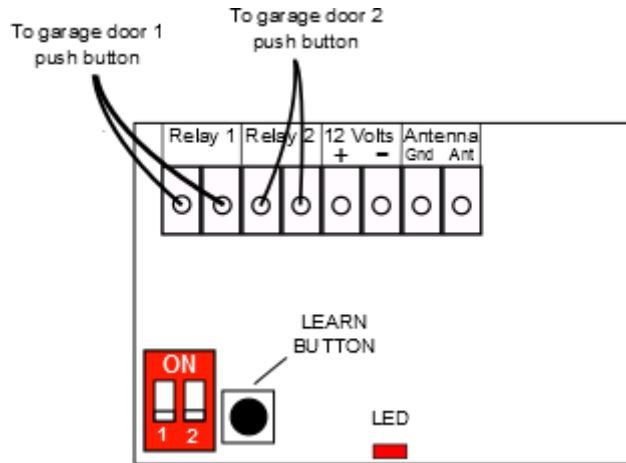
**Before making any connections ensure that power to the garage door opener is switched off.**

1. The receiver should be located in a position near to a mains socket and within 3 metres of the garage door opener push button control.
2. Locate the wall mounted push button that controls the garage door, remove its cover and connect the 2 core wire from the receiver to the push button terminals that have wires connected to them, polarity does not matter. Replace the bell push cover. If the push button has more than 2 wires please telephone us before proceeding.
3. Connect the power adaptor to the receiver and then plug the power adaptor into a mains socket and switch on the power.
4. **The 2 transmitters supplied have been programmed if you do not have additional transmitters go to step 7**, if you have additional transmitters program them as follows.
5. Remove the receiver cover by removing the two screws, connect the power adaptor.
6. Push and release the LEARN button, the red LED on the receiver will light, push the transmitter button marked A, the red LED on the receiver will flash and then turn off. The transmitter is now programmed **(the transmitter button must be pressed within 3 seconds of pressing the LEARN button)** repeat for button B. Repeat the above for any additional transmitters you need to program. Replace the receiver cover.
7. Switch on power to the garage door opener and press the transmitter button marked A to test operation.
8. The single white wire is the antenna, do not cut this and for maximum range keep away from mains wiring and metallic objects

## Deleting learnt transmitter codes - Erasing the receiver memory

If you lose a transmitter, you can erase the receiver memory so that the lost transmitter will no longer operate the garage door, after erasing the receiver memory you will need to re-program the transmitters you wish to use, see step 6 above.

1. To erase the receiver memory, remove the receiver cover.
2. Push the LEARN button for approximately 5 seconds until the red LED on the receiver flashes and then switches off, all the transmitter codes in the memory have now been erased.



### Controlling two garage door openers

If you wish to control 2 garage doors using the same transmitter, this can be done in one of two ways.

#### 1. Use an additional receiver for the second door.

Remove the receiver cover, then remove the pre-wired 2 core wires from the 'RL1' terminals and move them to the 'RL2' terminals, connect the power supply, program the transmitter as in step 6 above ensuring that you program the B button. Connect the 2 core wire to the push button of the garage door you wish to control as in step 2 above. Button B will now operate the second garage door.

#### 2. Use the same receiver.

Remove the receiver cover, connect additional 2 core wire to the terminals marked 'RL2', connect the power supply, program the transmitter as in step 6 above ensuring that you program the B button. Connect the 2 core wire from the 'RL2' terminals to the push button of the second garage door as in step 2 above. Button B will now operate the second garage door.

### Troubleshooting

For advice telephone 01803 215260

© Quantek Systems Ltd